

涡轮&输出转速传感器 Transmission Input & Output Speed Sensor

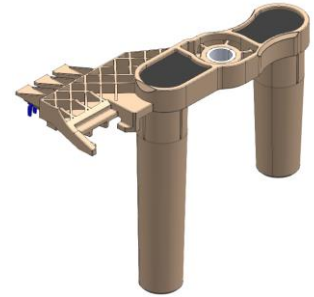
产品介绍 Product Description

该产品是基于霍尔原理而设计的，安装于变速箱中的二合一传感器。

The product is designed based on Hall principle and is a two in one sensor installed in the gearbox.

产品特征及优势 Feature and benefits

- ◆ 工作温度范围广，为-40-150℃。
The working temperature range is - 40-150 °C.
- ◆ 密封、磁操作的非接触式传感，使用寿命长，可靠性高。
Hermetically sealed, magnetically operated non-contact sensing gives excellent life and reliability.
- ◆ 在转轴正转和反转时，能输出不同信号作为区分。
Different signals can be output to distinguish between forward rotation and reverse rotation of the rotating shaft.
- ◆ 坚固的结构使该传感器非常适合恶劣的环境。
Robust construction makes this sensor well suited to harsh environments.
- ◆ 高精度。
High Accuracy.
- ◆ 根据客户要求，多种量程可定制。
According to customer requirements, a variety of ranges can be customized.



涡轮&输出转速传感器

Transmission Input & Output Speed Sensor

产品作用 Application

- ◆ 变速器输入速度和输出速度/方向检测。
Transmission input speed and output speed/direction detection.

操作 Operation

◆ 基本原理Basic principle:

该传感器芯片内存在两块霍尔单元，可根据外部磁场的变化做差分，这会导致传感器的输出电压发生变化。

There are two hall cells in the sensor chip, which can be differentiated according to the change of external magnetic field, which will change the output voltage of the sensor.

◆ 连接选项 Connection options:

根据客户选择定制连接系统。

Customized to customer choice of connection system.

◆ 包装选项 Packaging Options:

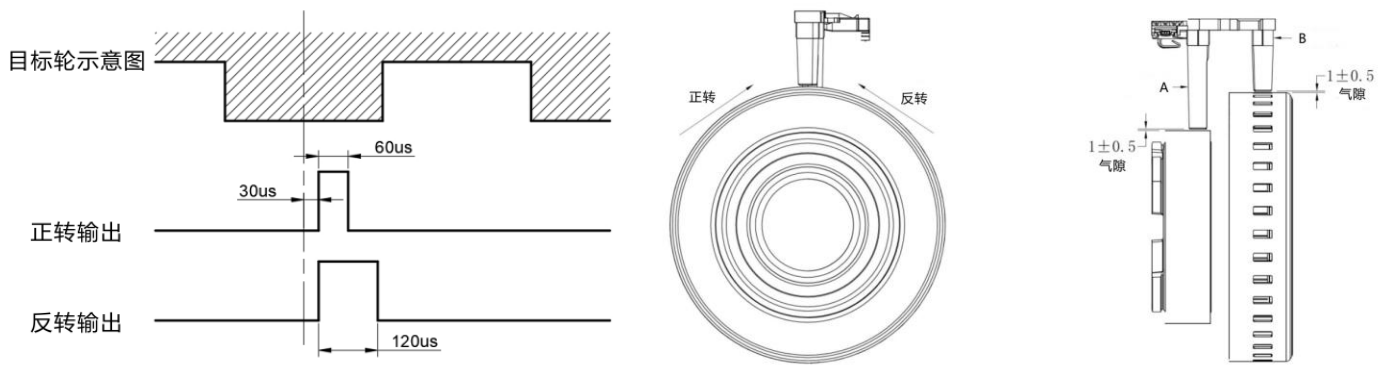
可提供定制包装以满足任何需要，请联系KESENS技术部了解详情。

Custom packaging can be provided to meet any need, please contact KESENS Engineering for details.

涡轮&输出转速传感器 Transmission Input & Output Speed Sensor

技术参数 Functional Characteristics

参数 PARAMETER	最小值 MIN.	额定值 NOM.	最大值 MAX.	单位 UNITS	备注 COMMENT
工作温度 TEMPERATURE RANGE	-40		150	°C	
供电电压 SUPPLY VOLTAGE	8	8.5	9	V	
供电电流 SUPPLY CURRENT			200	mA	
正转脉宽 FORWARD ROTATION PULSE WIDTH	50	60	70	us	
反转脉宽 REVERSE PULSE WIDTH	102	120	138	us	
诊断脉宽 DIAGNOSTIC PULSE WIDTH	24	30	36	us	
低电平信号 LOW LEVEL SIGNAL	5.9		8.4	mA	
高电平信号 HIGH LEVEL SIGNAL	11.8		16.8	mA	
最大输出频率 MAXIMUM OUTPUT FREQUENCY			12000	Hz	
启动时间 START TIME			2	ms	
工作气隙 WORKING AIR GAP	0.5	1	1.5	mm	



可根据需要定制不同量程及电气和环境规范的产品，详情请联系KESENS研发部。

Products with different ranges and electrical and environmental specifications can be customized according to needs. Please contact KESENS design department for details.